

# DMX512-SPI Decoder and RF Controller

## Model No.: DS-WP

Compatible with 47 kinds of IC / Digital display/Stand-alone function/ Wireless remote control

### Features

- DMX512 to SPI decoder and RF controller with digital display.
- Compatible with 47 kinds of digital IC RGB or RGBW LED strip, IC type and R/G/B order can be set.  
Compatible ICs: TM1803, TM1804, TM1809, TM1812, UCS1903, UCS1909, UCS1912, SK6813, UCS2903, UCS2909, UCS2912, WS2811, WS2812, WS2813, WS2815, TM1829, TLS3001, TLS3002, GWV6205, MB16120, TM1814B(RGBW), SK6812(RGBW), WS2813(RGBW), WS2814(RGBW), UCS8904B(RGBW), LPD6803, LPD1101, D705, UCS6909, UCS6912, LPD8803, LPD8806, WS2801, WS2803, P9813, SK9822, TM1914A, GS8206, GS8208, UCS2904, SM16804, SM16825, SM16714(RGBW), SM16703P, SM16714D, UCS2603, UCS5603.
- DMX decode mode, stand-alone mode and RF mode selectable.
- Standard DMX512 compliant interface, set DMX decode start address by buttons.
- Under stand-alone mode, change mode, speed or brightness by buttons.
- Under RF mode, match with RF 2.4G RGB/RGBW remote control.
- 32 kinds of dynamic modes, include horse-race, chase, flow, trail or gradual change style.

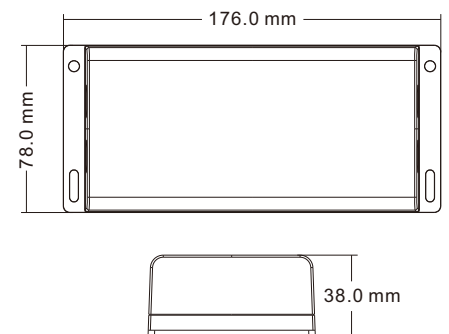
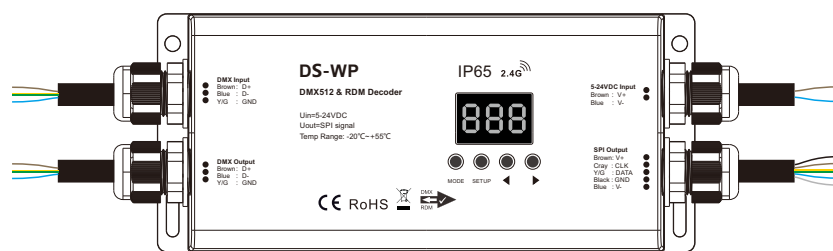


CE RoHS LVD

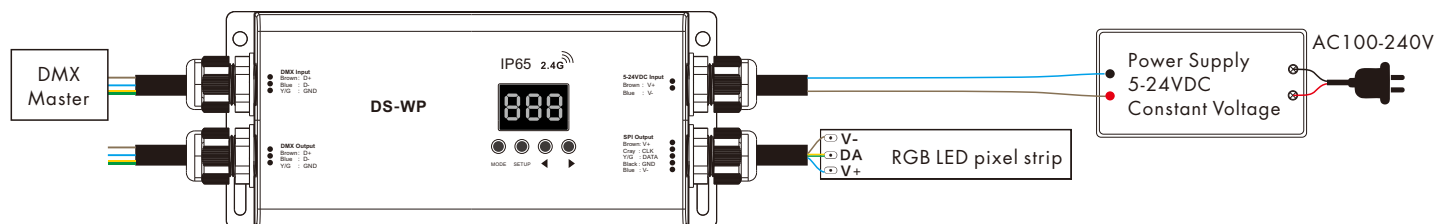
### Technical Parameters

Input and Output		Safety and EMC		Environment	
Input voltage	5-24VDC	EMC standard (EMC)	ETSI EN 301 489-1 V2.2.3 ETSI EN 301 489-17 V3.2.4	Operation temperature	Ta: -20°C ~ +55°C
Input current	10A	Safety standard(LVD)	EN 62368-1:2020+A11:2020	Case temperature (Max.)	Tc:+65°C
Power consumption	1W	Certification	CE,EMC,IVD,RED	IP rating	IP65
Input signal	DMX512 + RF 2.4GHz	Radio Equipment(RED)	ETSI EN 300 328 V2.2.2	Package	
Output signal	SPI(TTL)	Warranty	5 years	Size	L256 x W120 x H46mm
The number of dynamic modes	32	Protection	Reverse Polarity	Gross weight	0.397kg
Control dots	170 pixels (RGB 510 CH) Max 900pixels				

### Mechanical Structures and Installations



### Wiring Diagram



### Note:

- If the SPI LED pixel strip is single-wire control, the DATA and CLK output is same, we can connect up to 2 LED strips.
- If the SPI LED pixel strip is two-wire control, we can connect up to 1 LED strips.
- When the controller and the strip share a common power supply, if the strip load current exceeds 10A, the power input line of the strip is directly connected to the power output, and only the DATA/CLK/GND line is connected between the controller and the strip.

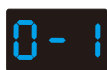
## Operation

### IC type, RGB order and pixel length length setting

- At first you must first assure IC type, RGB order and pixel length of the LED strip is correct.
- Long press M and ◀ key 2s, prepare for setup IC type, RGB order, pixel length, automatic blank screen, Short press M key to switch four item.  
Press ◀ or ▶ key to setup value of each item.  
Short press SETUP key, or timeout 10s, quit setting.



IC type



RGB order



pixel length



disable automatic blank screen

- IC type table:

No.	IC type	Output signal
C11	TM1803	DATA
C12	TM1809, TM1804, TM1812, UCS1903, UCS1909, UCS1912, SK6813 UCS2903, UCS2909, UCS2912, WS2811, WS2812, WS2813, WS2815, SM16703P	DATA
C13	TM1829	DATA
C14	TLS3001, TLS3002	DATA
C15	GW6205	DATA
C16	MBI6120	DATA
C17	TM1814B(RGBW)	DATA
C18	SK6812(RGBW), WS2813(RGBW), WS2814(RGBW)	DATA
C19	UCS8904B(RGBW)	DATA
C21	LPD6803, LPD1101, D705, UCS6909, UCS6912	DATA, CLK
C22	LPD8803, LPD8806	DATA, CLK
C23	WS2801, WS2803	DATA, CLK
C24	P9813	DATA, CLK
C25	SK9822	DATA, CLK
C31	TM1914A	DATA
C32	GS8206, GS8208	DATA
C33	UCS2904	DATA
C34	SM16804	DATA
C35	SM16825	DATA
C36	SM16714(RGBW)	DATA
C37	UCS5603	DATA
C38	UCS2603	DATA
C39	SM16714D	DATA

- RGB order: O-1 - O-6 indicate six order (RGB, RBG, GRB, GBR, BRG, BGR).
- Pixel length: Range is 008-900.
- Automatic blank screen: enable ("bon") or disable ("boF") automatic blank screen.

### DMX decode mode

There are two DMX decode modes selectable.

DMX decode mode 1: the DMX data change light directly;

DMX decode mod 2: switch dynamic modes, brightness grade and speed grade via 3 DMX data.



DMX decode mode

Long press M and SETUP key at the same time, prepare for setup DMX decode mode.

Press ◀ or ▶ key to switch between DMX decode mode (display "d-1") and DMX decode mode (display "d-2").

Short press SETUP key, and then return to DMX address interface.

### DMX decode mode 1:

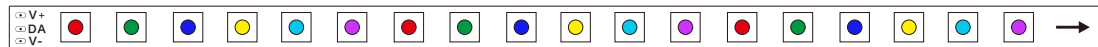
- Short press M key, when display 001-512, enter DMX decode mode.
- Press ◀ or ▶ key to change DMX decode start address(001-512), long press for fast adjustment.
- Short press SETUP key, prepare for setup decode number and multiple of pixels.  
Short press M key to switch two item.  
Press ◀ or ▶ key to setup value of each item.  
Decode number(display "dno"): DMX decode channel number, range is 003-600(for RGB).  
Multiple of pixels(display "Pno"): Each 3 DMX channel control length(for RGB), range is 001- pixel length.
- If there is a DMX signal input, will enter DMX decode mode automatically.

For example, the DMX-SPI decoder connect with RGB strip:

DMX data from DMX512 console:

DMX CH	1	2	3	4	5	6	7	8	9	10	11	12	13	14	15	16	17	18
DMX Data	255	0	0	0	255	0	0	0	255	255	255	0	0	255	255	255	0	255

DMX-SPI decoder output (start address: 001, decode channel number: 18, each 3 channel control length: 1):



DMX-SPI decoder output (start address: 001, decode channel number: 18, each 3 channel control length: 3):



### DMX decode mode 2:

- Short press M key, when display 001-512, enter DMX decode mode.
- Press ◀ or ▶ key to change DMX decode start address(001-512), long press for fast adjustment.  
For example, when the DMX start address is set to 001. The address 1 of DMX console is for dynamic light mode setting (32 modes), address 2 is for brightness setting (10 levels), address 3 is for speed setting (10 levels).

- Address 1 of DMX console : dynamic light mode

1: 0-8	2: 9-16	3: 17-24	4: 25-32	5: 33-40	6: 41-48	7: 49-56	8: 57-64
9: 65-72	10: 73-80	11: 81-88	12: 89-96	13: 97-104	14: 105-112	15: 113-120	16: 121-128
17: 129-136	18: 137-144	19: 145-152	20: 153-160	21: 161-168	22: 169-176	23: 177-184	24: 185-192
25: 193-200	26: 201-208	27: 209-216	28: 217-224	29: 225-232	30: 233-240	31: 241-248	32: 249-255

- Address 2 of DMX console : brightness grade (when address 2 value < 5, turn off the light)

1: 5-25 (10%)	2: 26-50 (20%)	3: 51-75(30%)	4: 76-100(40%)	5: 101-125(50%)
6: 126-150(60%)	7: 151-175(70%)	8: 176-200(80%)	9: 201-225(90%)	10: 226-255(100%)

- Address 3 of DMX console : speed grade

1: 0-25(10%)	2: 26-50(20%)	3: 51-75(30%)	4: 76-100(40%)	5: 101-125(50%)
6: 126-150(60%)	7: 151-175(70%)	8: 176-200(80%)	9: 201-225(90%)	10: 226-255(100%)

### Stand-alone mode

- Short press M key, when display P01-P32, enter stand-alone mode.
- Press ◀ or ▶ key to change dynamic mode number(P01-P32).
- Each mode can adjust speed and brightness.  
Short press SETUP key, prepare for setup dynamic mode speed and brightness.  
Short press M key to switch two item.  
Press ◀ or ▶ key to setup value of each item.  
Mode speed: 1-10 level speed(S-1, S-9, S-F).  
Mode brightness: 1-10 level brightness(b-1, b-9, b-F).  
Short press SETUP key, or timeout 10s, quit setting.
- Enter stand-alone mode only when DMX signal is disconnected or lost.



Stand-alone mode



Speed  
(8 level)



Brightness  
(10 level, 100%)

### Dynamic mode list

No.	Name	No.	Name	No.	Name
P01	Red horse race white ground	P12	Blue White chase	P23	Purple float
P02	Green horse race white ground	P13	Green Cyan chase	P24	RGBW float
P03	Blue horse race white ground	P14	RGB chase	P25	Red Yellow float
P04	Yellow horse race blue ground	P15	7 color chase	P26	Green Cyan float
P05	Cyan horse race blue ground	P16	Blue meteor	P27	Blue Purple float
P06	Purple horse race blue ground	P17	Purple meteor	P28	Blue White float
P07	7 color multi horse race	P18	White meteor	P29	6 color float
P08	7 color horse race close + open	P19	7 color meteor	P30	6 color smooth sectionally
P09	7 color multi horse race close + open	P20	Red float	P31	7 color jump sectionally
P10	7 color scan close + open	P21	Green float	P32	7 color strobe sectionally
P11	7 color multi-scan close + open	P22	Blue float		

### RF mode

Match: Long press M and ▶ key for 2s, display "RLS", within 5s, press on/off key of the RGB remote, display "RLO", match is successful, then use the RF remote to change mode number, adjust speed or brightness.

Delete: Long press M and ▶ key for 5s, until display "RLE", delete all matched RF remote.

### Restore factory default parameter

- Long press ◀ and ▶ key, restore factory default parameter, display "RES".
- Factory default parameter: DMX decode mode 1, DMX decode start address is 1, decode number is 510, multiple of pixels 1, dynamic mode number is 1, chip type is TM1809, RGB order, pixel length is 170, disable automatic blank screen, without matched RF remote.